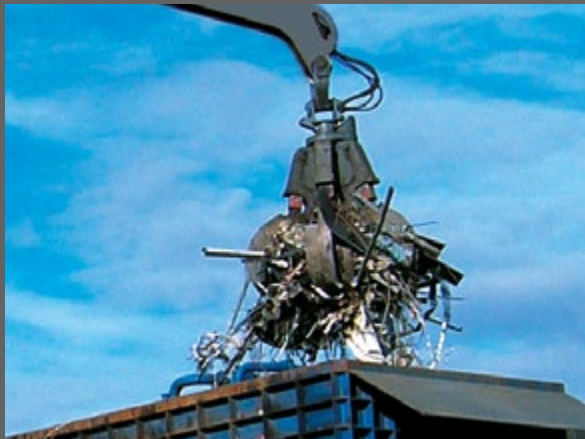


# ATLAS

## Material Handler 520MH

FAST. RELIABLE. VERSATILE.

# 520MH



-  **116,845 - 125,663 lbs**
-  **248 hp**
-  **59' 5" - 71' 10"**



## Technical Information

### ENGINE

Power according to ISO 9249.....	248 hp	Cylinder capacity .....	433 in <sup>3</sup>	Air filter .....	Dry air filter
RPM .....	2000 rpm	Number of cylinders.....	6	Battery .....	2x 12V / 143 Ah
Make.....	Deutz TCD 2013 L06 2V	Borehole/lift.....	101/126	Alternator .....	24 V / 55 A
Design.....	Turbocharger/ intercooler	Cooling system.....	Water-cooled	Starter.....	24V / 4,8 kW

### HYDRAULIC SYSTEM

• AWE 5 system (load sensing)	• Suction valves for all work functions	• Overload warning device
• 2 Load limit controlled high-performance piston pumps	• Load-retaining and fine-drop valve in lifting circuit	
• Fuel efficient flow-on-demand control	• Pipe break protection valves for lifting cylinders	• Max. oil flow .....
• Sensitive, proportional, independent control	• Grab and grab-rotating function	2 x 100 gpm
• Primary and secondary protection against overload	• 2 additional circuits for additional consumer loads possible	• Max. operating pressure.....
		5,221 PSI
		• Operating modes: 3 pre-programmed modes (Fine, Eco, Power)

### SWING ASSEMBLY

• Swing motor	Axial piston motor with priority valve	• Max. swing speed.....
• Swing gear:	Planetary transmission	5.2/min
• Swing brake:	Automatic multidisc brake	• Swing torque .....
		120,960 lbf ft

### TRACTION DRIVE AND BRAKES

• Variable displacement motor	• Automotive drive and cruise control	• Dual circuit brake system .....
• Power-shift transmission	• Maximum speed .....	drum brake
• Double-acting brake valve	• Terrain speed.....	• Parking brake .....
• Driving direction pre-selection via switch in joystick	• Crawlingspeed .....	spring-loaded brake
	9.9 mph	
	3.1 mph	
	0.6mph	

### UNDERCARRIAGE

• 154,324 lbs special excavator axles	• Steering axle with automatic oscillating axle locking	• 8 tyres Solid rubber tyres.....
		12.00 - 24

### FILL CAPACITIES

• Fuel tank.....	243 gal	• Engine oil.....	5.5 gal	• Hydraulics system .....	370 gal
• Cooling system .....	14 gal	• Hydraulic tank .....	190 gal		

### DRIVER'S CAB

• Extra-wide entrance	<b>CONTROL:</b>	<b>CLIMATE CONTROL:</b>
• Meets latest safety standards	• Ergonomic joysticks	• Air conditioning equipped as standard
• Spacious leg room	• Steering via potentiometer	• Very good air distribution through optimally arranged nozzles
• Excellent circumferential visibility	• Indicators, controls and operating switches are clearly arranged	
• Preparation for radio installation with mute function		<b>SOUND LEVELS:</b>
• Vario cab can be driven 9' 10" high and 8' 2" forwards	<b>MONITORING:</b>	• ISO6396 (L <sub>p</sub> A) in driver's cab .....
	• Operating data display screen	70 dB(A)
<b>DRIVER'S SEAT:</b>	• Automatic system for monitoring, warning and storage of data	• 2000/14EG (L <sub>w</sub> A) ambience level.....
• Air-cushioned comfort seat (optional seat heating)		105 dB(A)
• Arm rests and lumbar support		
• Seat adjustable separately from console		

## Equipment

### OPERATINGWEIGHTS

	LOADING BOOM 32' 2" (C94.5i)	LOADING BOOM 39' 4" (C94.6i) / (C94.16iD)
	Stick 24' 7" (D94.15i)	Stick 30' 4" (D94.16i)
4 outriggers	116,845 lbs	119,050 lbs
3' 3" pylon	121,254 lbs	123,459 lbs
6' 7" pylon	123,459 lbs	125,663 lbs

Operating weight with driver, solid rubber tyres, completely filled implement and 3,307 lbs for attachments

### EQUIPMENT

#### BASIC DEVICE ATLAS 520MH

- Material Handler 520MH with quadruple outriggers and 2 lifting cylinders (A 94.32)

#### Hydraulics:

- Grab and grab-rotating function
- Accumulator for emergency lowering of the arm system
- Pipe-break protection valves for lifting cylinders
- Overload warning device
- Cylinder end-position damping

- Rear view security camera with 5" LCD-colour monitor
- Seat can be adjusted separately from console
- Ready for electric cooling box
- Different options for storage, compartment for documents
- Bottle holder
- Rear view security camera with 5" LCD colour monitor
- Vario cab can be driven 9' 10" high and 8' 2" forwards

#### Booms:

- Loading boom 32' 2" (C94.5i)
- Loading boom 39' 4" (C94.6i)
- Loading boom 39' 4" (Banana) (C94.6iD)

#### Sticks:

- Stick 24' 7" (D 94.15i) for (C94.15i)
- Stick 30' 4" (D 94.16i) for (C94.16i/C94.16iD)

#### Cab:

- Air conditioning
- Preparation for radio installation with mute function
- Steering via potentiometer
- Seat adjustable separately from console
- Heat-insulating glass, tinted windows
- Automotive driving and cruise control
- Operating data display screen

#### Equipment:

- Combined lubricating points for swing bearing and arm equipment

#### STANDARD EQUIPMENT:

##### Engine:

- Automatic idle
- Diesel pre-filter
- Engine monitoring

#### Undercarriage:

- Tool box in the undercarriage

### ADDITIONAL EQUIPMENT

#### Engine:

- Refueling pump
- Engine speed adjustment via potentiometer
- Auxiliary heating
- Cold start assistance

#### Cab:

- Cab protection guard
- Beacon light
- Heated driver's seat
- Radio/CD/MP3, front AUX in, USB
- Cab elevation
- GPS/GSM Telemetriebox, for monitoring of operating data, fuel consumption, location
- Head rest
- Working lights, Xenon-version
- Electric cooling box

**Other special equipment:** See price list

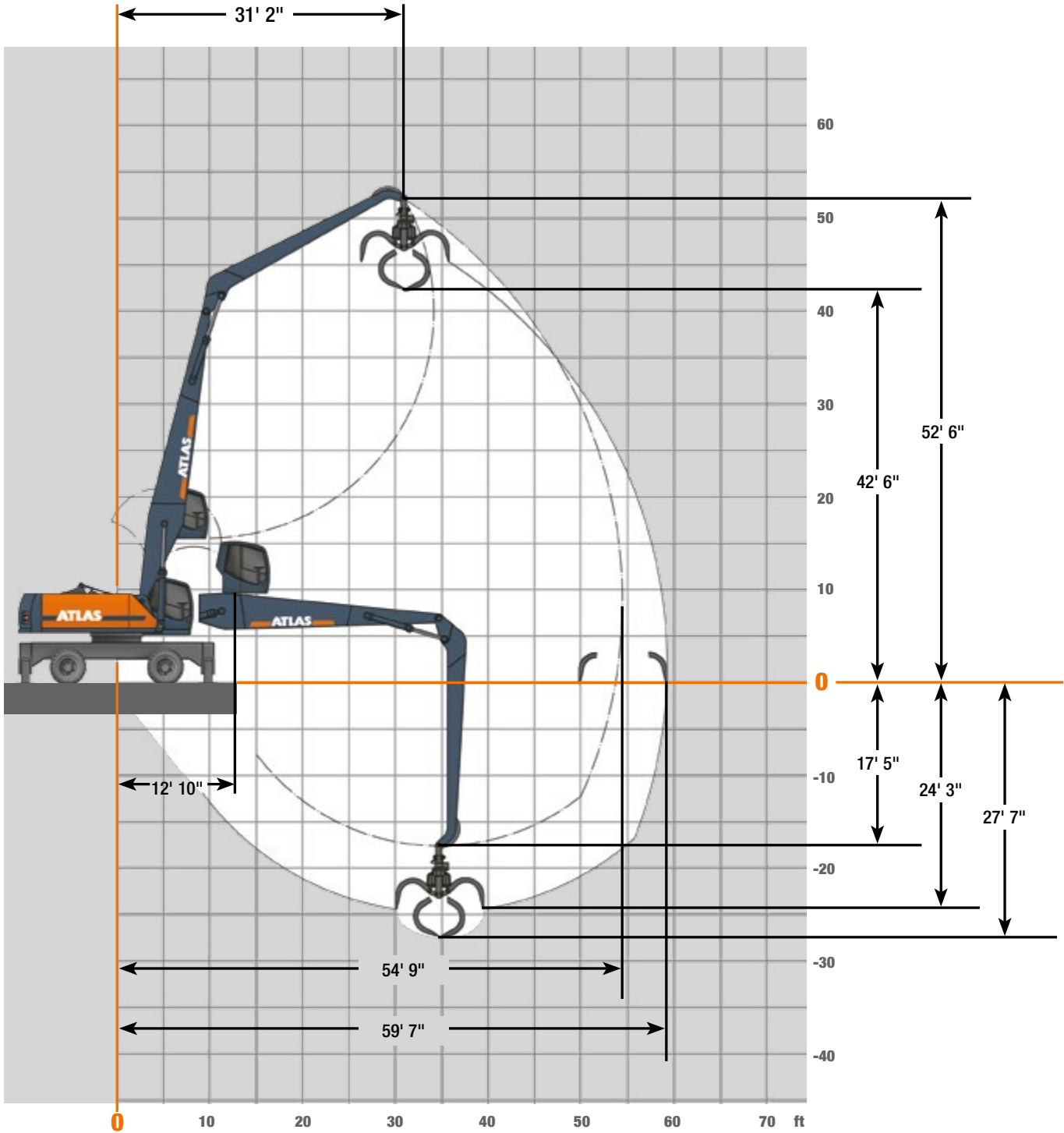
#### Hydraulics:

- Hydraulic kit, to operate front and rear supports separately
- Hydr. adaptor kit, switch supports individually
- Bio oil

### ATTACHMENTS

- Clamshell grab
- Load hook
- Log grab
- Orange peel grab
- Load lifting magnet

## Work Areas Loading boom 32' 2" (C94.5i) with Stick 24' 7" (D94.15i)



## Lifting Capacities Loading boom 32' 2" (C94.5i) and Stick 24' 7" (D94.15i)

### Lifting Capacities Loading boom 32' 2" (C94.5i) with Stick 24' 7" (D 94.15i). Max. reach 54' 9"

HEIGHT	outriggers down	19' 8"	24' 7"	29' 6"	34' 5"	39' 4"	44' 3"	49' 3"	54' 2"	59' 1"
		360° LIFT DUTY								
54' 2"										
49' 3"					18,743*					
44' 3"					18,081*	17,199*				
39' 4"					18,081*	16,979*	16,097*			
34' 5"					18,302*	17,199*	16,097*			
29' 6"					18,963*	17,640*	16,317*	15,435*		
24' 7"				22,271*	20,066*	18,302*	16,758*	15,656*		
19' 8"			28,004*	24,035*	21,168*	18,963*	17,199*	15,876*		
14' 9"		39,690*	31,311*	26,019*	22,491*	19,845*	17,861*	16,317*		
9' 10"		33,737*	34,398*	28,004*	23,594*	20,727*	18,302*	16,538*	14,774*	
4' 11"		12,128*	36,603*	29,327*	24,696*	21,168*	18,743*	16,538*		
0		10,364*	29,768*	30,209*	25,137*	21,609*	18,963*	16,538*		
- 4' 11"		11,466*	24,917*	30,209*	25,358*	21,609*	18,743*	16,317*		
- 9' 10"		13,671*	24,917*	29,547*	24,696*	20,948*	18,081*	15,435*		
- 14' 9"				27,783*	23,373*	19,845*	16,758*			
- 19' 8"										

The specified max. loading capacities in pounds (lbs) include a stability of 33% or are calculated at 87% of the hydraulic lifting power, as per ISO10567. These values are applicable at the tip of the arm with optimum positioning of the corresponding arm system. \* Value limited due to hydraulics. Weights of attached load carrying accessories (grab, magnet, load hook, etc.) are not included with the load carrying values.

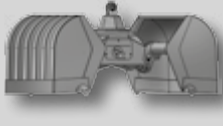
#### Attachments



Load hook



Log grab



Clamshell grab

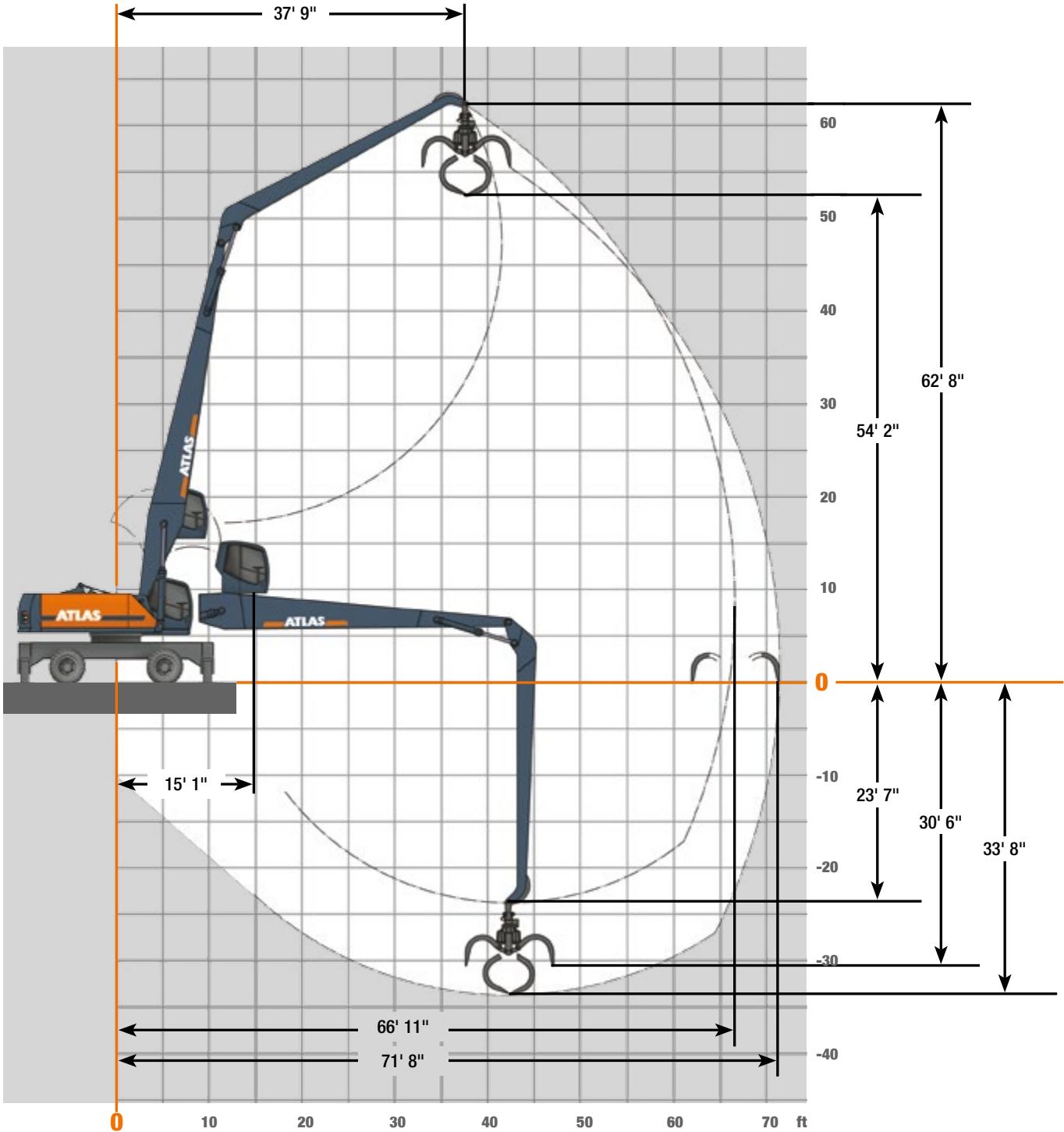


Orange peel grab



Load lifting magnet

## Work Areas Loading boom 39' 4" (C94.6i) with Stick 30' 4" (D94.16i)



## Lifting Capacities Loading boom 39' 4" (C94.6i) with Stick 30' 4" (D94.16i)

### Lifting Capacities Loading boom 39' 4" (C94.6i) with Stick 30' 4" (D 94.16i). Max. reach 71' 8"

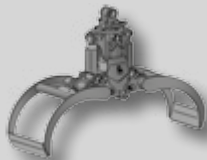
HEIGHT	outriggers down	19' 8"	24' 7"	29' 6"	34' 5"	39' 4"	44' 3"	49' 3"	54' 2"	59' 1"	64'
		360° LIFT DUTY									
54' 2"							12,569*				
49' 3"							12,569*	11,687*			
44' 3"							12,569*	11,687*	11,025*		
39' 4"							12,569*	11,687*	11,025*		
34' 5"						14,112*	13,010*	11,907*	11,246*	10,364*	
29' 6"						14,774*	13,451*	12,348*	11,246*	10,584*	
24' 7"					17,199*	15,435*	13,892*	12,569*	11,466*	10,584*	9,923*
19' 8"			25,799*	21,389*	18,302*	16,097*	14,333*	13,010*	11,687*	10,805*	9,923*
14' 9"		37,265*	28,445*	22,932*	19,404*	16,758*	14,774*	13,230*	12,128*	11,025*	9,923*
9' 10"		4,190*	30,650*	24,476*	20,507*	17,420*	15,435*	13,671*	12,348*	11,025*	10,143*
4' 11"			12,569*	25,578*	21,168*	18,081*	15,656*	13,892*	12,348*	11,246*	10,143*
0			9,041*	25,578*	21,609*	18,522*	15,876*	14,112*	12,569*	11,246*	9,923*
- 4' 11"			8,820*	19,625*	21,830*	18,522*	16,097*	14,112*	12,348*	11,025*	9,702*
- 9' 10"			9,702*	18,302*	21,609*	18,302*	15,876*	13,892*	12,128*	10,584*	
- 14' 9"			11,025*	18,743*	20,727*	17,861*	15,435*	13,451*	11,687*	10,143*	
- 19' 8"				19,845*	19,625*	16,979*	14,553*	12,569*	11,025*		

The specified max. loading capacities in pounds (lbs) include a stability of 33% or are calculated at 87% of the hydraulic lifting power, as per ISO10567. These values are applicable at the tip of the arm with optimum positioning of the corresponding arm system. \* Value limited due to hydraulics. Weights of attached load carrying accessories (grab, magnet, load hook, etc.) are not included with the load carrying values.

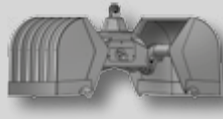
#### Attachments



Load hook



Log grab



Clamshell grab



Orange peel grab



Load lifting magnet

## Lifting Capacities Loading boom 39' 4" (C94.6iD) with Stick 30' 4" (D94.16i)

### Lifting Capacities Loading boom 39' 4" (C94.6iD) with Stick 30' 4" (D 94.16i). Max. reach 70' 8"

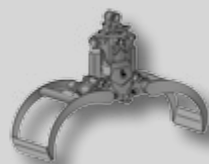
HEIGHT	outriggers down	19' 8"	24' 7"	29' 6"	34' 5"	39' 4"	44' 3"	49' 3"	54' 2"	59' 1"	64'
		360° LIFT DUTY									
54' 2"									8,379*		
49' 3"									8,379*		
44' 3"									8,600*	8,379*	
39' 4"								9,261*	8,820*	8,600*	
34' 5"								9,702*	9,261*	8,820*	
29' 6"						12,348*	11,246*	10,364*	9,702*	9,041*	8,600*
24' 7"				17,861*	15,215*	13,230*	11,907*	10,805*	10,143*	9,482*	8,820*
19' 8"		5,292*	25,137*	20,066*	16,758*	14,333*	12,789*	11,466*	10,584*	9,702*	9,041*
14' 9"			13,451*	21,830*	18,081*	15,435*	13,451*	12,128*	11,025*	10,143*	9,261*
9' 10"			9,702*	23,373*	19,184*	16,317*	14,112*	12,569*	11,466*	10,364*	9,482*
4' 11"			9,261*	20,286*	20,066*	16,979*	14,774*	13,230*	11,687*	10,584*	9,702*
0			9,923*	18,743*	20,727*	17,640*	15,215*	13,451*	11,907*	10,805*	
- 4' 11"			11,246*	18,963*	21,168*	17,861*	15,435*	13,671*	12,128*	10,805*	
- 9' 10"			13,010*	20,066*	21,168*	18,081*	15,656*	13,671*	12,128*		
- 14' 9"			14,774*	21,830*	20,948*	17,861*	15,435*	13,451*	11,687*		
- 19' 8"				23,814*	20,066*	17,199*	14,774*	12,789*			

The specified max. loading capacities in pounds (lbs) include a stability of 33% or are calculated at 87% of the hydraulic lifting power, as per ISO10567. These values are applicable at the tip of the arm with optimum positioning of the corresponding arm system. \* Value limited due to hydraulics. Weights of attached load carrying accessories (grab, magnet, load hook, etc.) are not included with the load carrying values.

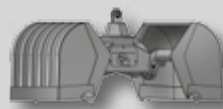
#### Attachments



Load hook



Log grab



Clamshell grab



Orange peel grab

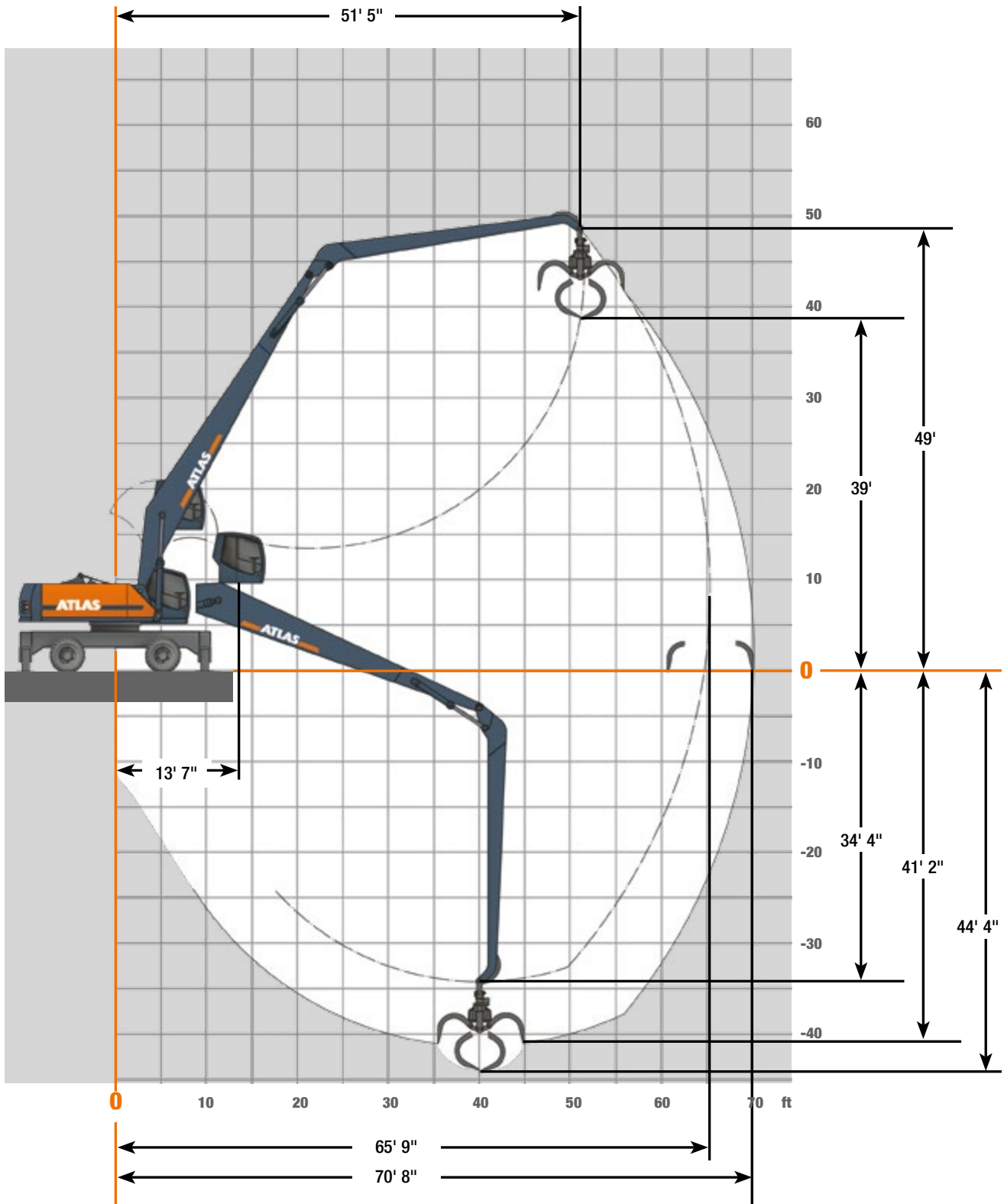


Load lifting magnet



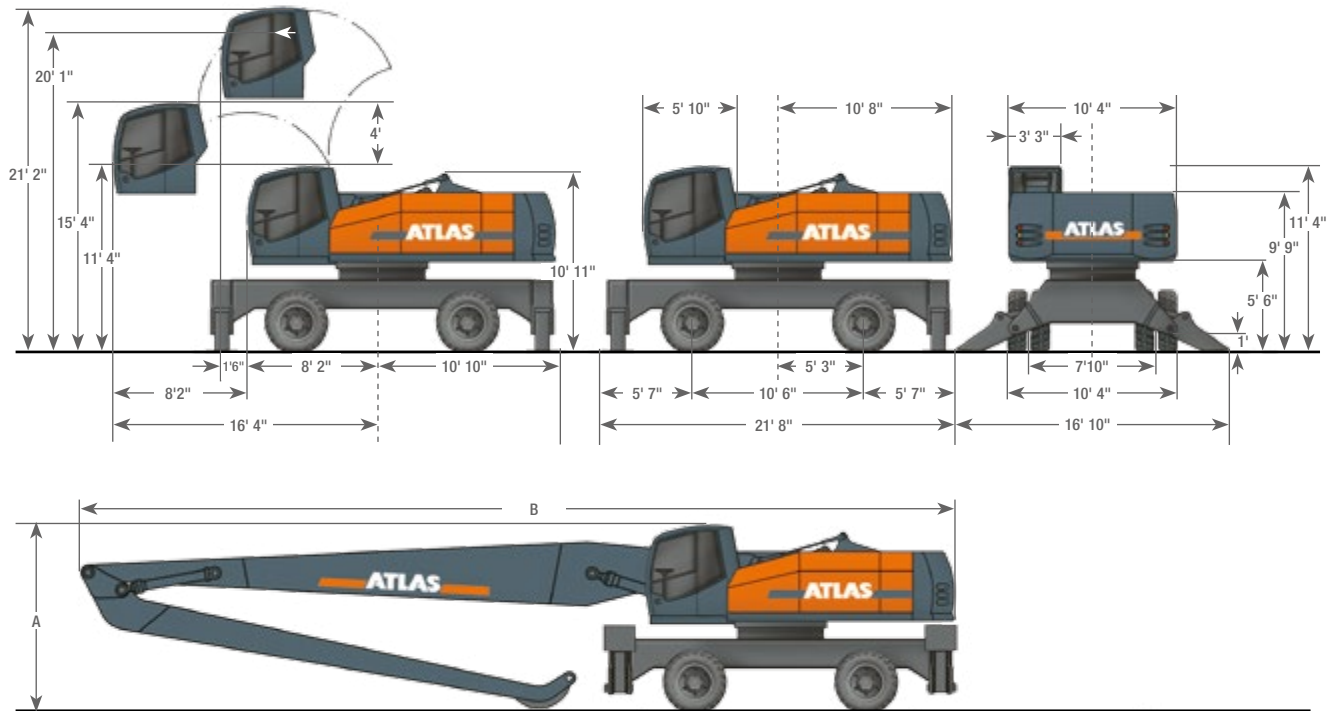
# 520MH

## Work Areas Loading boom 39' 4" (C94.6iD) with Stick 30' 4" (D94.16i)



**WORK AREAS**

## Dimensions



A TRANSPORT HEIGHT	B TRANSPORT LENGTH
Loading boom 32' 2" (C94.5i) with Stick 24' 7" (D94.15i).....11' 4"	Loading boom 32' 2" (C94.5i) with Stick 24' 7" (D94.15i).....46' 3"
Loading boom 39' 8" (C94.6i) with Stick 30' 4" (D94.16i).....11' 5"	Loading boom 39' 8" (C94.6i) with Stick 30' 4" (D94.16i).....53' 10"
Loading boom 39' 8" (C94.6id) with Stick 30' 4" (D94.16i).....11' 5"	Loading boom 39' 8" (C94.6id) with Stick 30' 4" (D94.16i).....53' 3"

[www.atlasgmbh.com](http://www.atlasgmbh.com)

**ATLAS Maschinen GmbH**  
 EXCAVATORS  
 Atlasstrasse 6  
 27777 Ganderkesee, Germany  
 T: +49 (0) 4222 954 0  
 F: +49 (0) 4222 954 343  
 info@atlasgmbh.com

520MH-US (1) Effective date: December 2013. Product specifications and prices are subject to change without notice or obligation. The photographs and/or drawings in this document are for illustrative purposes only. Refer to the appropriate Operator's Manual for instructions on the proper use of this equipment. Failure to follow the appropriate Operator's Manual when using our equipment or to otherwise act irresponsibly may result in serious injury or death. The only warranty applicable to our equipment is the standard written warranty applicable to the particular product and sale and Atlas makes no other warranty, express or implied. The only warranty applicable to our equipment is the standard written warranty applicable to the particular product and sale and Atlas makes no other warranty, express or implied. Products and services listed may be trademarks, service marks or trade-names of Atlas Maschinen GmbH and/or its subsidiaries. All rights are reserved. Atlas® is a registered trademark of Atlas Maschinen GmbH. Copyright © 2010 Atlas Maschinen GmbH.