


# ATLAS

## Material Handler 350MH



 **73,414 - 79,366 lbs**

 **245 hp**

 **44' 3" - 59' 9"**



**FAST. RELIABLE. VERSATILE.**

# 350MH

## Technical Information

### ENGINE

Power according to ISO 14396.....245 HP	Cylinder capacity.....372.2 in <sup>3</sup>	Air filter .....Dry air filter
RPM.....1800 rpm	Number of cylinders.....6	Battery .....2x 12V / 143Ah
Make.....Deutz TCD 6.1 L6 (Stage 3B)	Borehole/lift.....101/126	Alternator .....28 V / 100 A
Design.....Turbocharger / intercooler	Cooling system.....Water-cooled	Starter.....24 V / 5,5 kW

### HYDRAULIC SYSTEM

<ul style="list-style-type: none"> <li>• AWE 4 system (load sensing)</li> <li>• Load-limit-controlled high-performance piston pumps</li> <li>• Fuel-efficient required power regulation</li> </ul>	<ul style="list-style-type: none"> <li>• Suction valves for all work functions</li> <li>• Load-retaining and fine-drop valve in lifting circuit</li> <li>• Pipe-break protection valves for lifting cylinders</li> <li>• Grab and grab-rotating function</li> <li>• 2 additional circuits for additional consumer loads possible</li> </ul>	<ul style="list-style-type: none"> <li>• Temperature-controlled fan for cooler</li> <li>• Max. oil flow.....174.3 gal/min</li> <li>• Max. operating pressure.....4641 PSI</li> <li>• Operating modes: 3 pre-programmed modes (Fine, Eco, Power) (Power-boost mode)</li> </ul>
<ul style="list-style-type: none"> <li>• Sensitive, proportional, independent control</li> <li>• Primary and secondary protection against overload</li> </ul>		

### SWING ASSEMBLY

<ul style="list-style-type: none"> <li>• Swing motor:</li> <li>• Swing gear:</li> <li>• Swing brakes:</li> </ul>	<ul style="list-style-type: none"> <li>• Axial piston motor with priority valve</li> <li>• Planetary transmission</li> <li>• Manuell multidisc brake via pedal</li> </ul>	<ul style="list-style-type: none"> <li>• Max. swing speed.....8.5 rpm</li> <li>• Swing torque.....68,888 lbf/ft</li> </ul>
--	---	--

### TRACTION DRIVE AND BRAKES

<ul style="list-style-type: none"> <li>• Variable displacement motor</li> <li>• 2-gear transmission</li> <li>• Double-acting brake valve</li> <li>• Driving direction pre-selection via lever at steering-wheel</li> </ul>	<ul style="list-style-type: none"> <li>• Maximum speed .....12.4 mph</li> <li>• Terrain speed .....3.1 mph</li> <li>• Crawling speed.....0.62 mph</li> </ul>	<ul style="list-style-type: none"> <li>• Dual circuit brake system.....Multi-disc</li> <li>• Parking brake.....spring-loaded brake</li> </ul>
--	--	---

### UNDERCARRIAGE

<ul style="list-style-type: none"> <li>• 123,460 lbs special excavator axles</li> </ul>	<ul style="list-style-type: none"> <li>• Steering axle with automatic oscillating axle blocking</li> </ul>	<ul style="list-style-type: none"> <li>• 8 tyres .....12.00 - 20</li> </ul>
---	--	---

### FILL CAPACITIES

<ul style="list-style-type: none"> <li>• Fuel tank .....112.3 gal</li> <li>• Cooling system ..... 12.7 gal</li> </ul>	<ul style="list-style-type: none"> <li>• Engine oil ..... 5.5 gal</li> <li>• Hydraulic tank ..... 133.4 gal</li> </ul>	<ul style="list-style-type: none"> <li>• Hydraulics system.....256.2 gal</li> </ul>
---	--	---

### DRIVER'S CAB

<ul style="list-style-type: none"> <li>• Meets latest safety standards</li> <li>• Extra-wide entrance</li> <li>• Spacious leg room</li> </ul>	<p><b>CONTROL:</b></p> <ul style="list-style-type: none"> <li>• Ergonomic pilot lever</li> <li>• Slim steering column, height and tilt adjustable</li> <li>• Clear and concise arrangement of control switches</li> </ul>	<p><b>SOUND LEVELS:</b></p> <ul style="list-style-type: none"> <li>• ISO 6396 (LpA) in driver's cab.....70 dB(A)</li> <li>• 2000/14EG (LwA) based on ambience level.....103 dB(A)</li> </ul>
<ul style="list-style-type: none"> <li>• Excellent circumferential visibility</li> <li>• Preparation for radio installation</li> </ul>	<p><b>CLIMATE CONTROL:</b></p> <ul style="list-style-type: none"> <li>• Climatronic standard in all models</li> <li>• Very good air distribution</li> </ul>	
<p><b>DRIVER'S SEAT:</b></p> <ul style="list-style-type: none"> <li>• Air-cushioned comfort seat (optional seat heating)</li> <li>• Arm rests and lumbar support</li> <li>• Seat adjustable separately from console</li> </ul>		

## Equipment

### OPERATING HEIGHTS

	LOADING BOOM 28' 6" (C84.5i)		LOADING BOOM 34' 9" (C84.7i)
	Stick 18' 1" (D84.15i)	Stick 22' 8" (D84.16i)	Stick 25' 5" (D84.17i)
4 outriggers	73,193 lbs	73,855 lbs	75,618 lbs

Operating weight with driver, solid rubber tyres, completely filled implement and 3,307 lbs for attachments

### EQUIPMENT

#### BASIC DEVICE ATLAS 350MH

- 350MH material handler with quadruple outrigger support and 2 lifting cylinders (A 84.32)

#### Standard equipment:

- Engine:**
  - Automatic idle
  - Diesel pre-filter
  - Engine monitoring
  - Diesel particulate filters

#### Cab:

- Air conditioning with automatic control
- Preparation for radio installation
- Slim steering column, height and tilt adjustable
- Seat adjustable separately from console

#### Booms:

- Loading boom 28' 6" (C84.5i)
- Loading boom 34' 9" (C84.7i)
- Loading boom 38' 1" (C84.8i)

#### Hydraulics:

- Grab and grab-rotating function
- Accumulator for emergency lowering of the arm system
- Pipe break protection valves for lifting cylinders
- Overload warning device
- Cylinder end-position damping
- Electrical central lubrication

#### Equipment:

- Combined lubricating points for swing bearing and arm equipment

#### Sticks:

- Stick 18' 1" (D 84.15i)
- Stick 22' 8" (D 84.16i)
- Stick 25' 3" (D 84.17i)
- Stick 29' 6" (D84.18i)  
(for loading boom 34' 9" only (C84.7i))

#### Undercarriage:

- Wet disc brakes

\*further executions on request

### ADDITIONAL EQUIPMENT

#### Engine:

- Refueling pump
- Auxiliary heating
- Cold startup assistance

#### Cab:

- Cab protection guard
- Beacon light
- Heated driver's seat
- Radio CD/MP3, front AUX in, USB
- Lift-cab - 6' 7" elevation
- Vario cab can be elevated 6' 7" high and 2 m forwards
- Cab elevation 2' / 3' 11" / 4' 11" / 6' 7"
- Electric central lubrication system
- Xenon working lights

#### Undercarriage:

- Solid rubber tyres
- Tool box in the undercarriage

**Other special equipment:** See price list

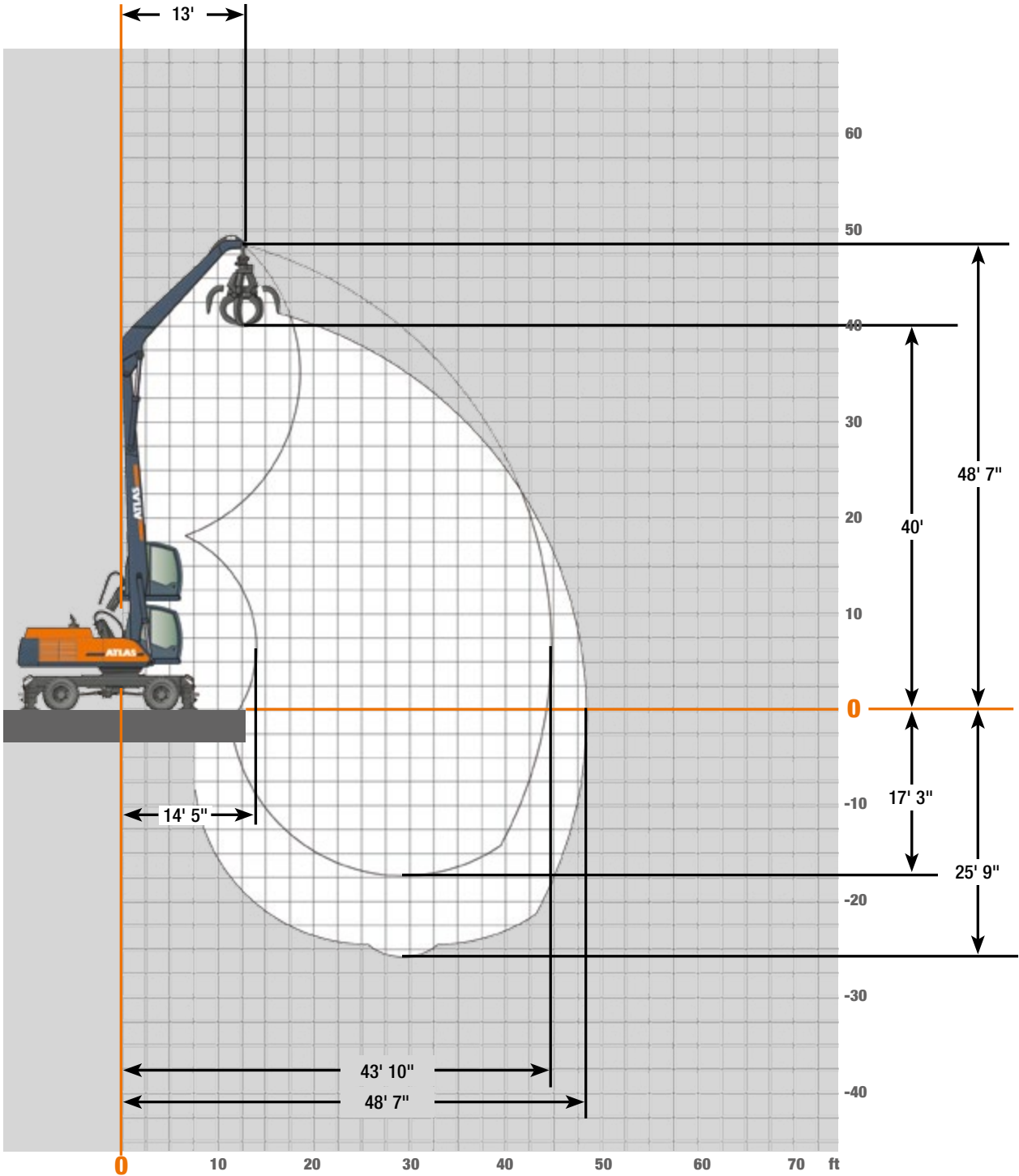
#### Hydraulics:

- Hydraulic kit, to operate front and rear supports separately
- Hydraulic kit, to operate supports per axle separately
- Bio oil

### ATTACHMENTS










- Clamshell grab
- Orange peel grab
- Load hook
- Load lifting magnet
- Log grab

## Work areas Loading boom 28' 6" (C84.5i) and Stick 18' 1" (D84.15i)



## Lifting Capacities, Loading boom 28' 6" (C84.5i) and Stick 18' 1" (D84.15i)

### Lifting Capacities Loading Boom 26' 3" (C25.6i) with stick 19' 8" (D25.16i). Max reach 53' 8"

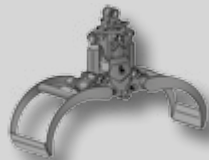
HEIGHT	outriggers down	14' 9"	19' 8"	24' 7"	29' 6"	34' 5"	39' 4"	44' 3"	49' 3"	54' 2"
										
360° LIFT DUTY										
49' 3"										
44' 3"			20,723*							
39' 4"			19,841*	16,755*	14,771*					
34' 5"			19,621*	16,755*	14,550*	13,007*				
29' 6"			20,062*	16,975*	14,771*	13,007*				
24' 7"		28,660*	20,944*	17,416*	14,991*	13,007*	11,464*			
19' 8"		29,321*	22,487*	18,298*	15,212*	13,228*	11,464*			
14' 9"		32,849*	24,030*	18,960*	15,653*	13,228*	11,243			
9' 10"		13,669*	25,132*	19,400*	15,873*	13,228*	11,023	9,259*		
4' 11"			24,692*	19,180*	15,653*	13,007*	10,803*	8,598*		
0			22,707*	18,298*	14,771*	12,125*	9,921*	7,716*		
- 4' 11"			19,400*	16,314*	13,448*	11,023*	8,818*			
- 9' 10"			15,432*	13,448*	11,243*	9,259*	7,055*			
- 14' 9"				9,921*	8,377*	6,614*				
- 19' 8"										

The specified max. loading capacities in pounds (lbs) include a stability of 33% or are calculated at 87% of the hydraulic lifting power, as per ISO10567. These values are applicable at the tip of the arm with optimum positioning of the corresponding arm system. \* Value limited due to hydraulics. Weights of attached load carrying accessories (grab, magnet, load hook, etc.) are not included with the load carrying values.

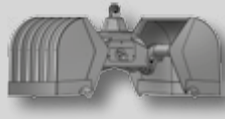
#### Attachments



Load hook



Log grab



Clamshell grab



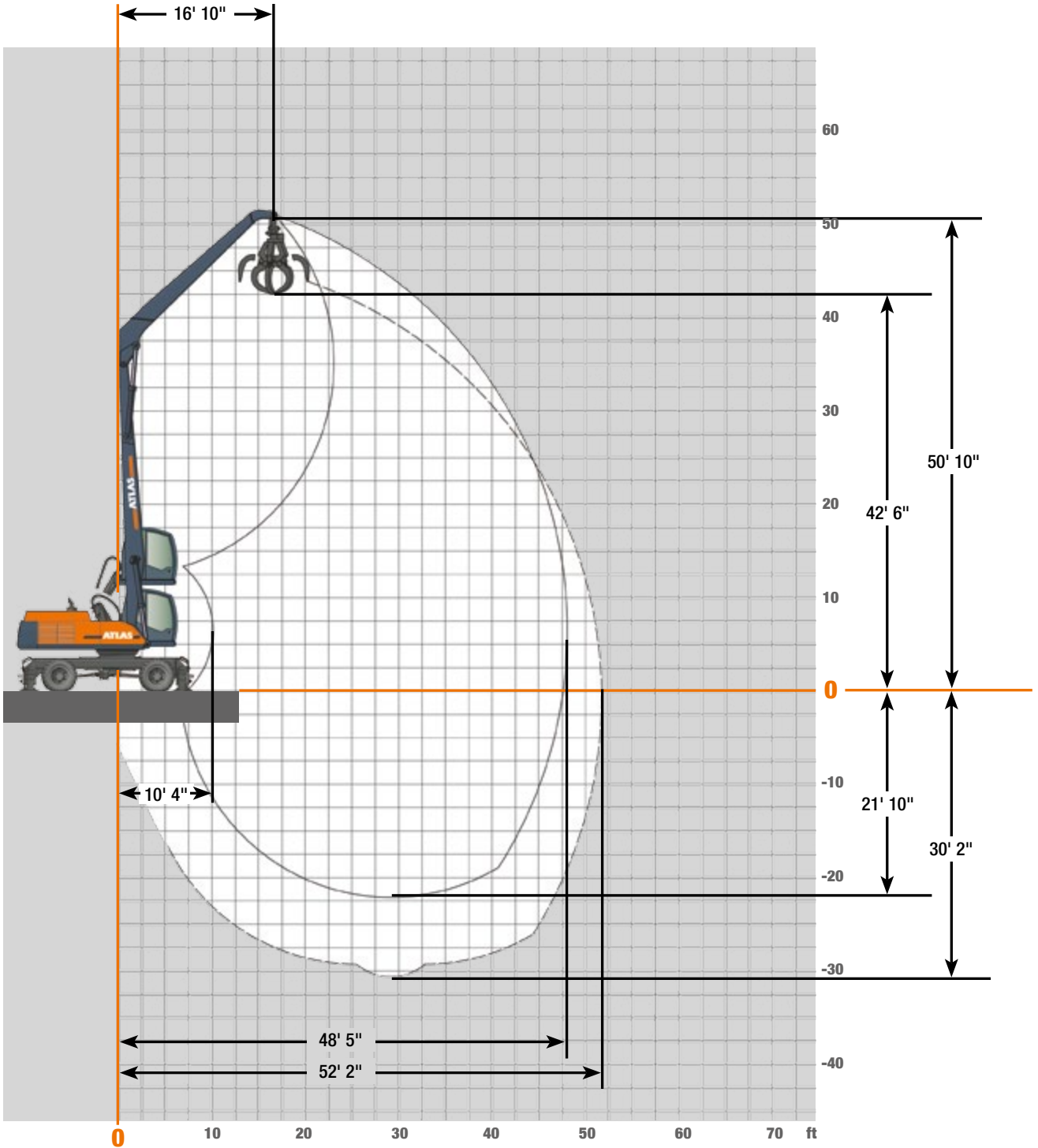
Orange peel grab



Load lifting magnet



## Work areas Loading boom 28' 6" (C84.5i) and Stick 22' 8" (D84.16i)



## Lifting Capacities Loading boom 28' 6" (C84.5i) and Stick 22' 8" (D84.16i)

### Lifting Capacities, Loading boom 28' 6" (C84.5i) with Stick 22' 8" (D84.16i). Max. reach 52' 2"

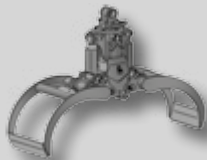
HEIGHT	outriggers down	14' 9"	19' 8"	24' 7"	29' 6"	34' 5"	39' 4"	44' 3"	49' 3"	54' 2"
		360° LIFT DUTY								
49' 3"			19,400*							
44' 3"				15,653*	13,889*					
39' 4"				15,212*	13,448*	12,125*				
34' 5"				14,991*	13,448*	11,905*	10,803*			
29' 6"				15,212*	13,448*	12,125*	10,803*			
24' 7"				15,873*	13,889*	12,125*	10,803*	9,480*		
19' 8"			20,062*	16,755*	14,330*	12,566*	11,023*	9,480*		
14' 9"		27,117*	21,826*	17,637*	14,771*	12,787*	11,023*	9,480*		
9' 10"		32,628	23,589*	18,519*	15,212*	12,787*	11,023*	9,259		
4' 11"		15,432*	24,471*	18,960*	15,432*	12,787*	10,803*	9,039*		
0		10,582*	24,030*	18,739*	15,212*	12,566*	10,362*	8,598*		
- 4' 11"			22,046*	17,637*	14,330*	11,684*	9,700*	7,716*		
- 9' 10"			18,960*	15,653*	12,787*	10,582*	8,377*	6,393*		
- 14' 9"			14,991*	12,787*	10,582*	8,598*	6,614*			
- 19' 8"				9,259*	7,716*	6,173*				

The specified max. loading capacities in pounds (lbs) include a stability of 33% or are calculated at 87% of the hydraulic lifting power, as per ISO10567. These values are applicable at the tip of the arm with optimum positioning of the corresponding arm system. \* Value limited due to hydraulics. Weights of attached load carrying accessories (grab, magnet, load hook, etc.) are not included with the load carrying values.

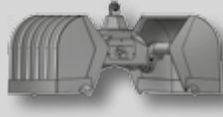
### Attachments



Load hook



Log grab



Clamshell grab



Orange peel grab



Load lifting magnet

## Lifting Capacities Loading boom 34' 9" (C84.7i) and Stick 25' 3" (D84.17i)

### Lifting Capacities, Loading boom 28' 6" (C84.5i) with Stick 22' 8" (D84.16i). Max. reach 52' 2"

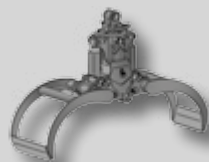
HEIGHT	outriggers down	14' 9"	19' 8"	24' 7"	29' 6"	34' 5"	39' 4"	44' 3"	49' 3"	54' 2"
		360° LIFT DUTY								
54' 2"				13,228						
49' 3"				13,448*	11,023*	9,921*				
44' 3"					11,023*	9,700*	8,818*			
39' 4"					11,023*	9,700*	8,818*	7,937*		
34' 5"				13,669*	11,023*	9,921*	8,818*	7,937*		
29' 6"				13,228*	11,464*	10,141*	9,039*	8,157*	7,275*	
24' 7"			16,094*	13,889*	11,905*	10,362*	9,259*	8,157*	7,275*	
19' 8"		13,669*	18,298*	14,771*	12,346*	10,803*	9,480*	8,377*	7,496*	6,614*
14' 9"		27,337*	19,841*	15,653*	13,007*	11,023*	9,480*	8,377*	7,496*	6,393
9' 10"		1,984*	21,385*	16,535*	13,448*	11,243*	9,700*	8,377*	7,275*	6,393
4' 11"			9,039*	16,755*	13,669*	11,464*	9,700*	8,377*	7,275*	6,173
0			6,173*	16,755*	13,448*	11,243*	9,480*	8,157*	7,055*	5,952*
- 4' 11"			6,393*	15,653*	13,007*	11,023*	9,259*	7,937*	6,834*	5,512*
- 9' 10"			7,496*	14,771*	12,346*	10,362*	8,818*	7,496*	6,173*	
- 14' 9"			9,039*	13,007*	11,023*	9,259*	7,937*	6,614*	5,512*	
- 19' 8"			11,023*	10,803*	9,480	8,157*	6,834*	5,512*		
- 24' 7"					7,275*	6,393*	5,291*	3,968*		

The specified max. loading capacities in pounds (lbs) include a stability of 33% or are calculated at 87% of the hydraulic lifting power, as per ISO10567. These values are applicable at the tip of the arm with optimum positioning of the corresponding arm system. \* Value limited due to hydraulics. Weights of attached load carrying accessories (grab, magnet, load hook, etc.) are not included with the load carrying values.

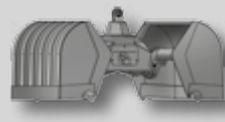
#### Attachments



Load hook



Log grab



Clamshell grab



Orange peel grab

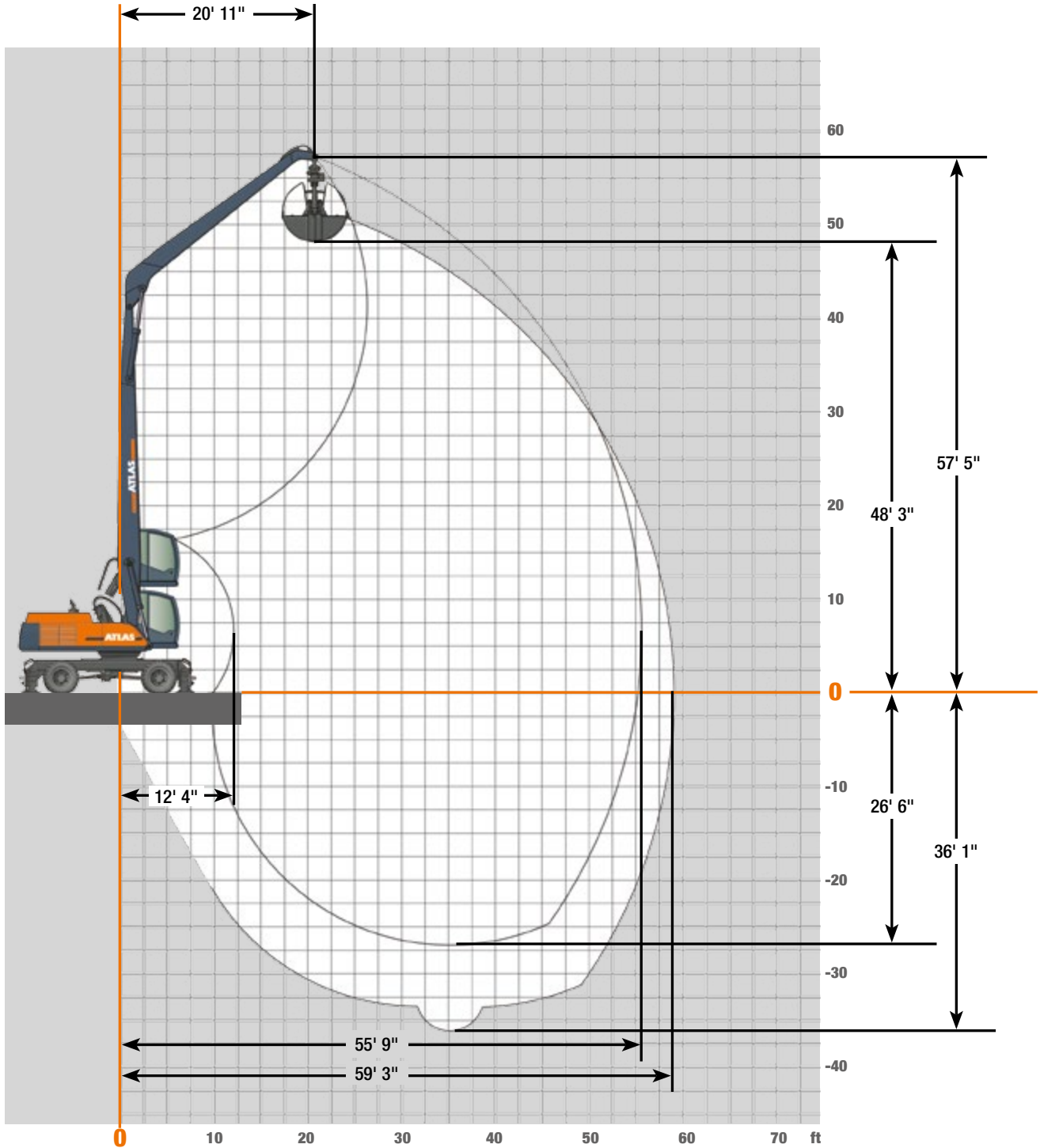


Load lifting magnet

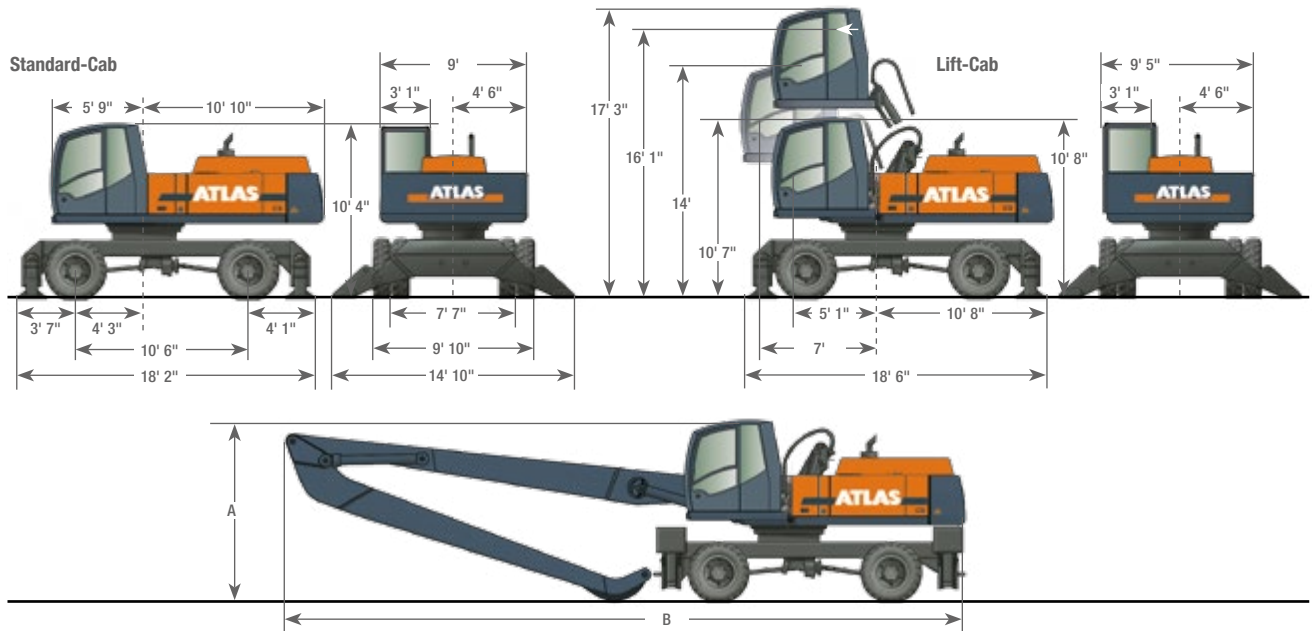


# 350MH

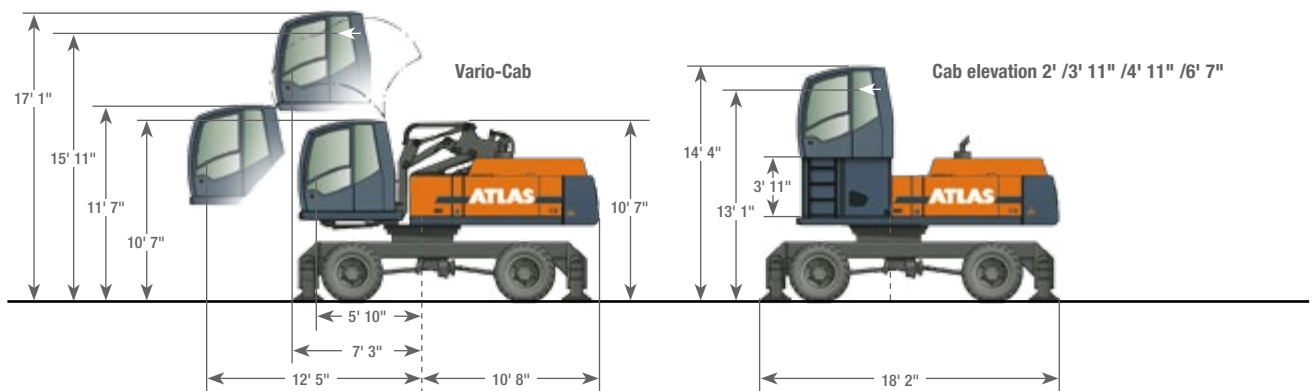
## Work areas Loading boom 34' 9" (C84.7i) and Stick 25' 3" (D84.17i)



## Dimensions



A TRANSPORT HEIGHT	B TRANSPORT LENGTH
Loading boom 28' 6" (C84.5i) with Stick 18' 1" (84.15i).....10' 10"	Loading boom 28' 6" (C84.5i) with Stick 18' 1" (D84.15i).....41' 6"
Loading boom 28' 6" (C84.5i) with Stick 22' 8" (84.16i).....10' 10"	Loading boom 28' 6" (C84.5i) with Stick 22' 8" (84.16i).....41' 6"
Loading boom 34' 9" (C84.7i) with Stick 25' 3" (D84.17i).....10' 10"	Loading boom 34' 9" (C84.7i) with Stick 25' 3" (D84.17i).....47' 9"



Further cabin versions on demand.

[www.atlasgmbh.com](http://www.atlasgmbh.com)

**ATLAS Maschinen GmbH**  
EXCAVATORS  
Atlasstrasse 6  
27777 Ganderkesee, Germany  
T: +49 (0) 4222 954 0  
F: +49 (0) 4222 954 343  
info@atlasgmbh.com

350MH-US (1) Effective date: March 2014. Product specifications and prices are subject to change without notice or obligation. The photographs and/or drawings in this document are for illustrative purposes only. Refer to the appropriate Operator's Manual for instructions on the proper use of this equipment. Failure to follow the appropriate Operator's Manual when using our equipment or to otherwise act irresponsibly may result in serious injury or death. The only warranty applicable to our equipment is the standard written warranty applicable to the particular product and sale and Atlas makes no other warranty, express or implied. The only warranty applicable to our equipment is the standard written warranty applicable to the particular product and sale and Atlas makes no other warranty, express or implied. Products and services listed may be trademarks, service marks or trade-names of Atlas Maschinen GmbH and/or its subsidiaries. All rights are reserved. Atlas® is a registered trademark of Atlas Maschinen GmbH. Copyright © 2014 Atlas Maschinen GmbH.

Ref. no. XXXXXX